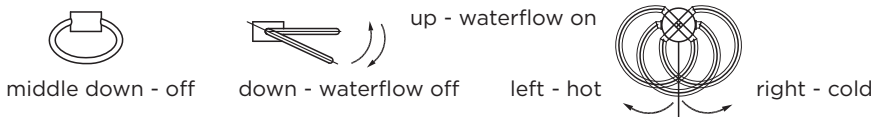
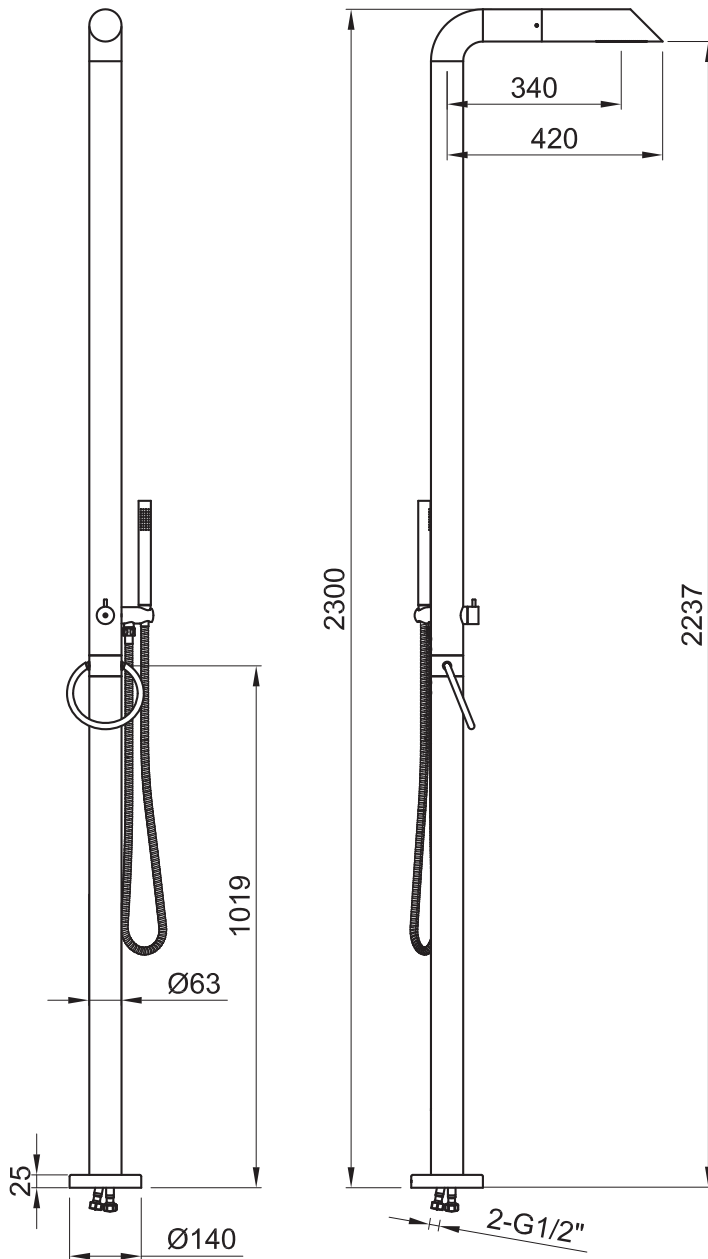




# JEE-O pure shower 02



Article code:	300-6210	Connection:	2 x G 1/2" (ø15mm / 0.6") nylon <sup>(out)</sup> /epdm <sup>(in)</sup> flexhose with brass swivel British Standard Pipe (BSP)
Material:	● Brushed Stainless Steel r316	Thread:	
Cleaning instructions:	download JEE-O shower and taps manual on our website: <a href="http://www.jee-o.com">www.jee-o.com</a>	Dimension package:	L 158 x W 18 W 54 x H 21 cm
Cartridges:	Sedal/Kerox ceramic mixing mechanism (35mm), item code 005-0101 and JEE-O ceramic diverter mechanism, item code 005-0302	Total weight:	13.1 kg
Flow at water of 38°C:	11L p/m at 3Bar pressure	Package weight:	2.8 kg
Pressure:	Recommended working pressure 3Bar	Placing on a water-tight floor	
Flexhose:	150 cm length	7 year warranty - The general conditions can be found on our website: <a href="http://www.jee-o.com/downloads">www.jee-o.com/downloads</a>	
		HS code: 84818011900	

Approvals:



JEE-O pure shower 02 specifications | October 2024

Models are subject to change and specs may contain typographical errors

Slight variations in the aesthetic appearance of the product, including the color, may occur after exposure to external influences such as sunlight, pollution or harmful chemicals