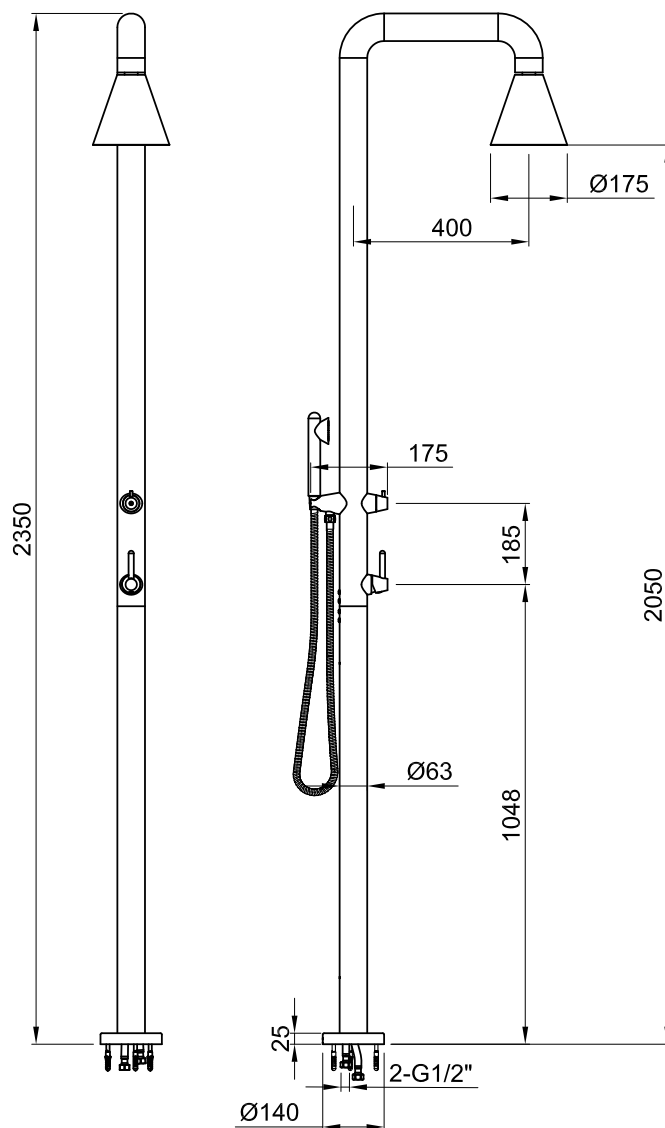




JEE-O cone shower 02



Article code:	900-6210 ● Brushed 900-6216 ● PVD coated gun metal	Connection:	2 x G 1/2" (Ø15mm / 0.6") nylon ^(out) /epdm ⁽ⁱⁿ⁾ flexhose with brass swivel British Standard Pipe (BSP)
Material:	Stainless Steel r316	Thread:	
Cleaning instructions:	download JEE-O shower and taps manual on our website: www.jee-o.com	Dimension package:	L158 x W66 x H23 cm
Cartridge:	Sedal/Kerox ceramic mixing cartridge (35mm), item code 005-0101 and JEE-O ceramic diverter mechanism item code 005-0302	Total weight:	17.9 kg
Flow at water of 38°C:	12l p/m at 3Bar pressure	Package weight:	5.2 kg
Pressure:	Recommended working pressure 3Bar	Placing on a water-tight floor	
Flexhose:	150 cm length	2 year warranty - The general conditions can be found on our website: www.jee-o.com/downloads	
		HS code:	84248970