

36 712 819 Product version from 3/13/2017



- 190mm projection
- fixed spout
- circular, air-enriched flow
- hole diameter valve 35 mm
- hole diameter spout 35 mm
- rosettes Ø 60 mm
- max. flow 5.7 l/min
- lead-free
- This product can help a building meet the requirements of Green Building Rating Systems, e.g. LEED®, BREEAM®, DGNB
- WRAS

	Chrome	36 712 819-00
	Brushed Platinum	36 712 819-06
	Platinum	36 712 819-08
	Dark Chrome	36 712 819-19
	Brushed Durabronze (23kt Gold)	36 712 819-28
	Brushed Dark Brass (PVD)	36 712 819-39
	Brushed Bronze (PVD)	36 712 819-42
	Brushed Champagne (22kt Gold)	36 712 819-46
	Champagne (22kt Gold)	36 712 819-47
	Brushed Dark Platinum	36 712 819-99

Required miscellaneous



- Concealed wall-mounted mixer centred spout -** 35 700 970 90
- max. recess depth 145 mm
  - min. recess depth 85 mm

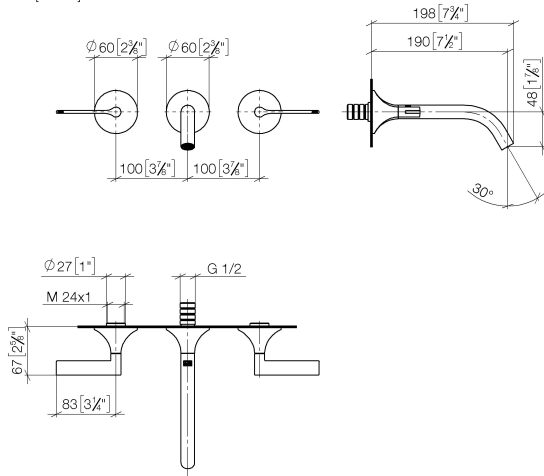
Required miscellaneous



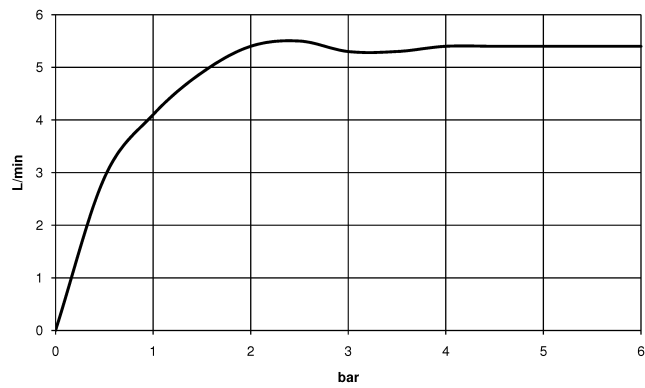
- Concealed wall-mounted mixer variable positioning -** 35 720 970 90
- min. recess depth 85 mm
  - max. recess depth 145 mm

36 712 819 Product version from 3/13/2017

mm [inches]



Flow rate chart



Codes & Standards

DIN 4109

ISO 3822

Scottish Water  
Byelaws

UK Water Supply  
Regulations

Ü-Zeichen



## VAIA Wall-mounted basin mixer without pop-up waste - Chrome

---

VAIA

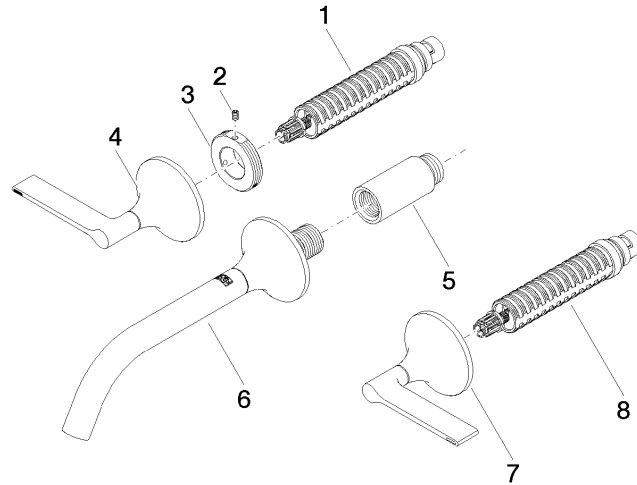
36 712 819 Product version from 3/13/2017

Certificates and sustainability

---

LGA\_29

WRAS\_2312



Spare parts list

No.	Item Number	Name	Quantity used	Delivery time
5	09 24 03 081 10 90	extension	1.00	2
6	13 800 809-00	VAIA Wall-mounted basin spout without pop-up waste - Chrome	1.00	10
2	09 31 11 008 90	pin	2.00	2
3	09 21 02 163 90	disc	2.00	2
4	90 20 80 013 00-00	handle ( hot )	1.00	10
7	90 20 80 012 00-00	handle ( cold )	1.00	10
8	90 90 03 157 00 90	top	1.00	2
1	90 90 03 156 00 90	top	1.00	2